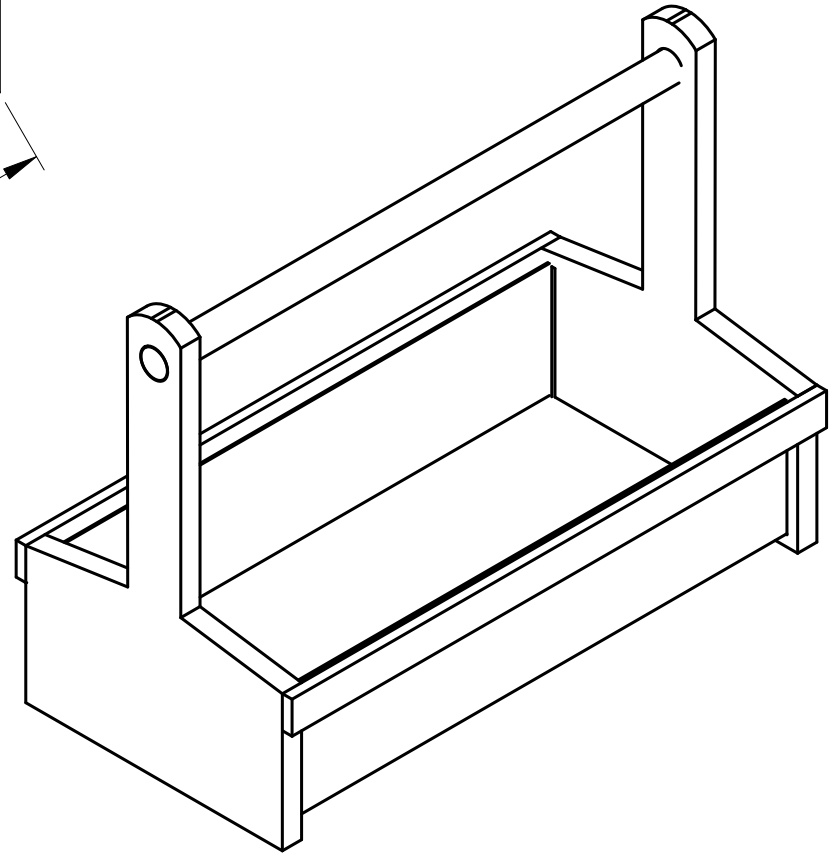
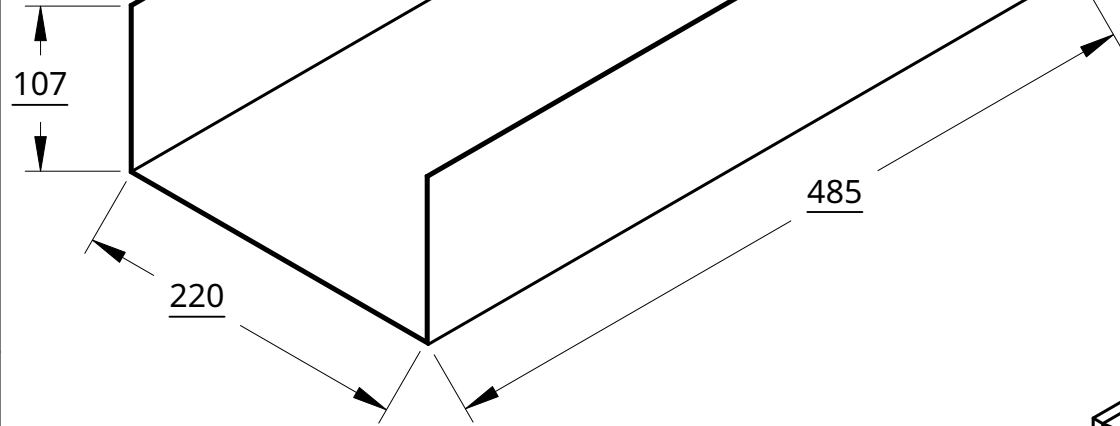


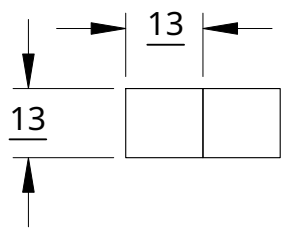
2

1

Wire basket frame



wire mesh: square



UNLESS OTHERWISE SPECIFIED, DIMENSIONS ARE IN MILLIMETERS		NAME	DATE		
ANGULAR = ± °		DRAWN	HEATH SAWYER	02/07/2023	
SURFACE FINISH		CHECKED			TITLE
DO NOT SCALE DRAWING		APPROVED			Trug
BREAK ALL SHARP EDGES AND REMOVE BURRS					Wire basket frame
THIRD ANGLE PROJECTION		MATERIAL	FINISH	SIZE	DWG NO.
				A	3
				SCALE	WEIGHT
				Mixed	
				SHEET	3 of 3

2

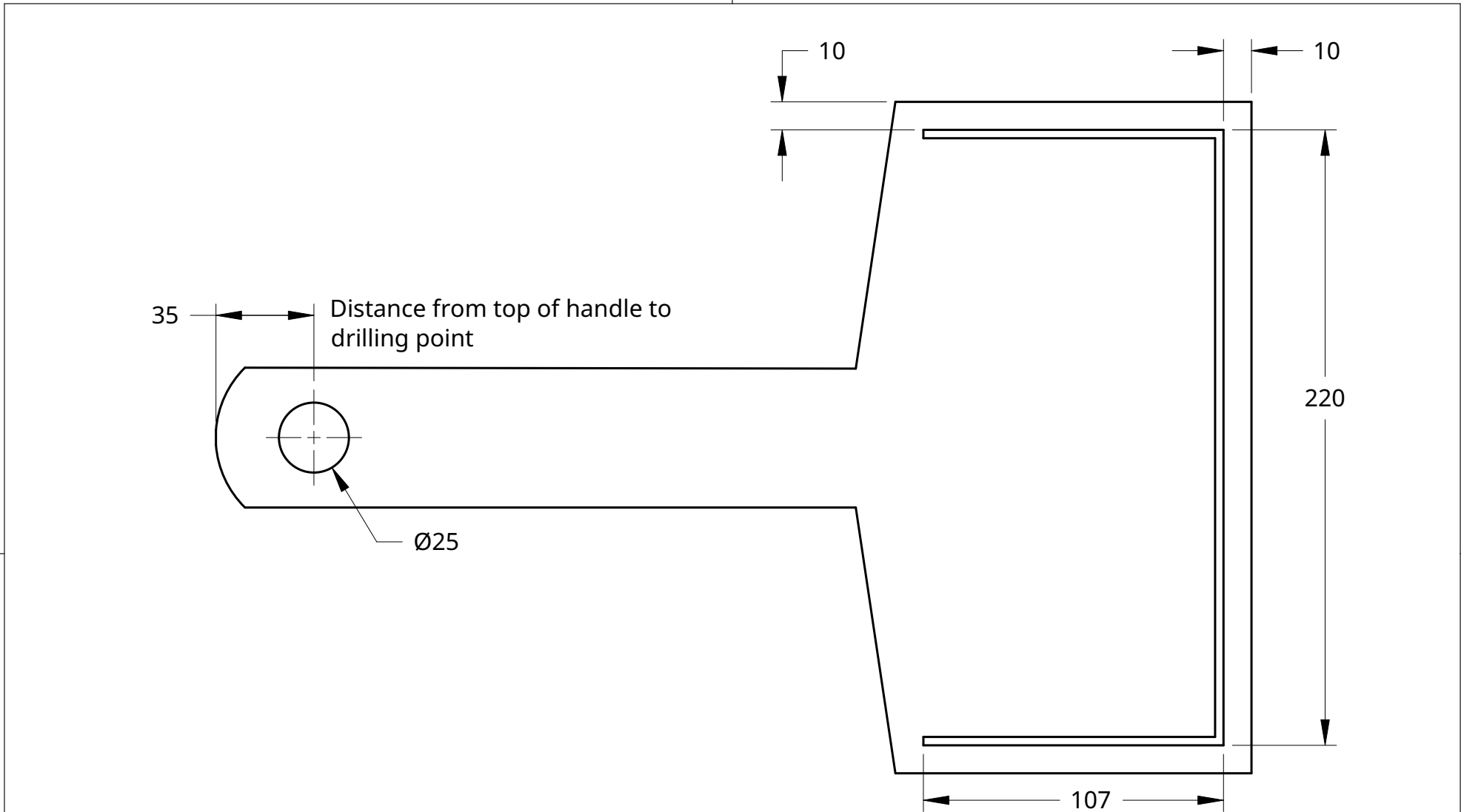
1

B

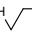

B

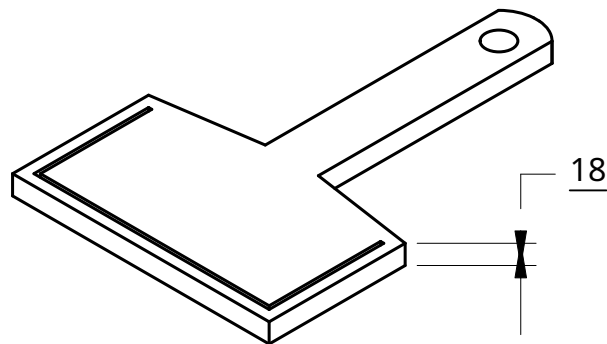
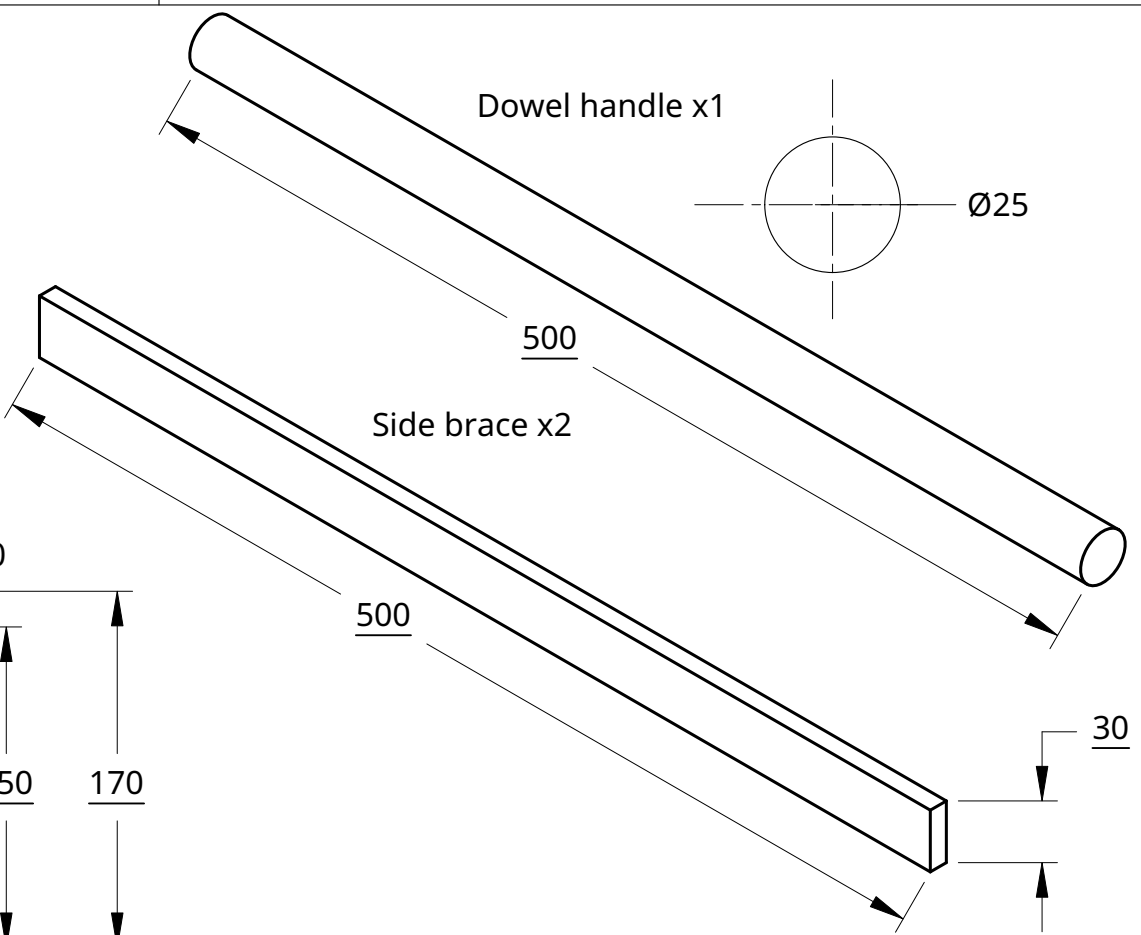
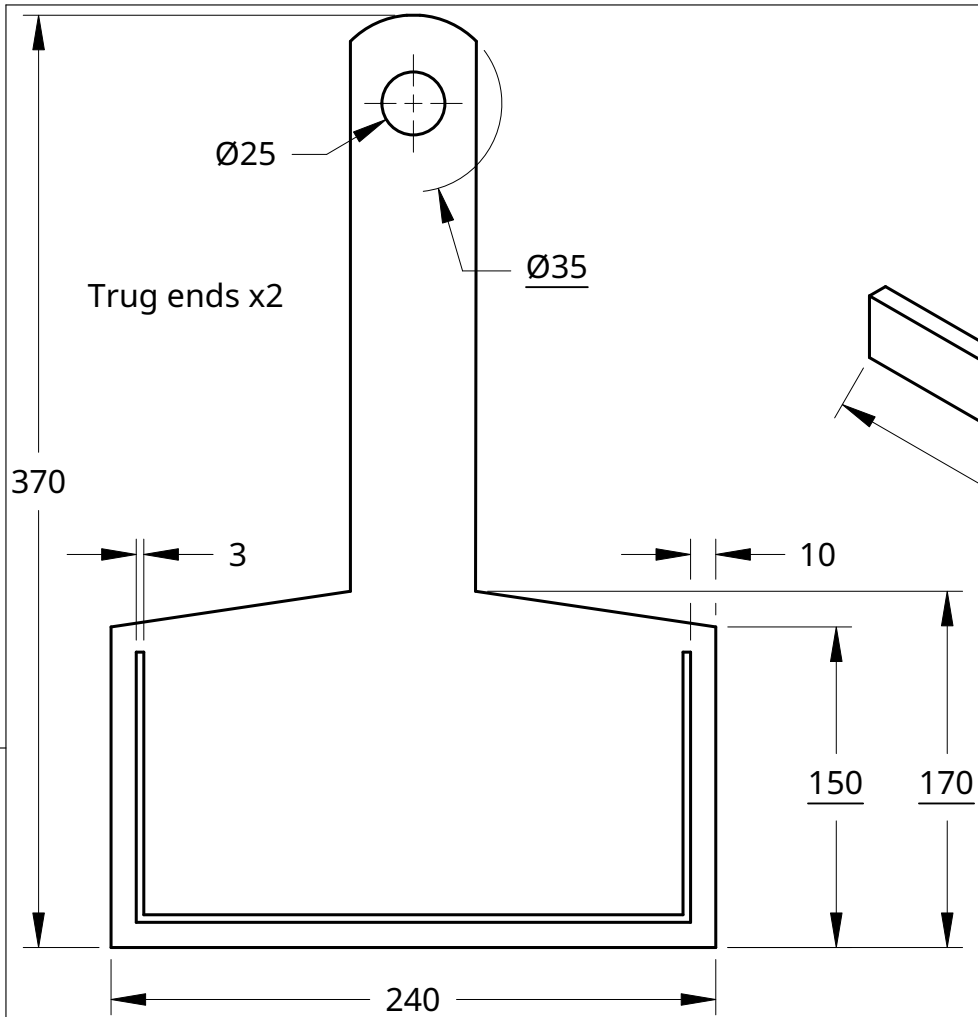
A

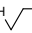

A



The router channel houses the wire basket frame and is 10 mm from each edge.

UNLESS OTHERWISE SPECIFIED, DIMENSIONS ARE IN MILLIMETERS		NAME	DATE	Garden harvest trug		
ANGULAR = ± °		DRAWN	HEATH SAWYER	02/07/2023	TITLE	
SURFACE FINISH 		CHECKED				
DO NOT SCALE DRAWING		APPROVED				
BREAK ALL SHARP EDGES AND REMOVE BURRS					Router channel and drilling	
THIRD ANGLE PROJECTION 		MATERIAL	FINISH	SIZE A		DWG NO. 2
				SCALE 1:2	WEIGHT	REV.
					SHEET 2 of 3	



UNLESS OTHERWISE SPECIFIED, DIMENSIONS ARE IN MILLIMETERS ANGULAR = ± ° SURFACE FINISH  DO NOT SCALE DRAWING BREAK ALL SHARP EDGES AND REMOVE BURRS	DRAWN	HEATH SAWYER	02/06/2023	TITLE Garden harvest trug		
	CHECKED					
	APPROVED					
	THIRD ANGLE PROJECTION	MATERIAL	FINISH			SIZE
	18 mm ply	Varnish or paint	A	1		
	SCALE	1:1	WEIGHT		SHEET	1 of 3